



FLYMO & PARTNER OUTDOOR PRODUCTS



PARTS

12G

P986006

MODEL Partner 431 Range

9644622-39
431

9644623-39
431S

9644644-39
431

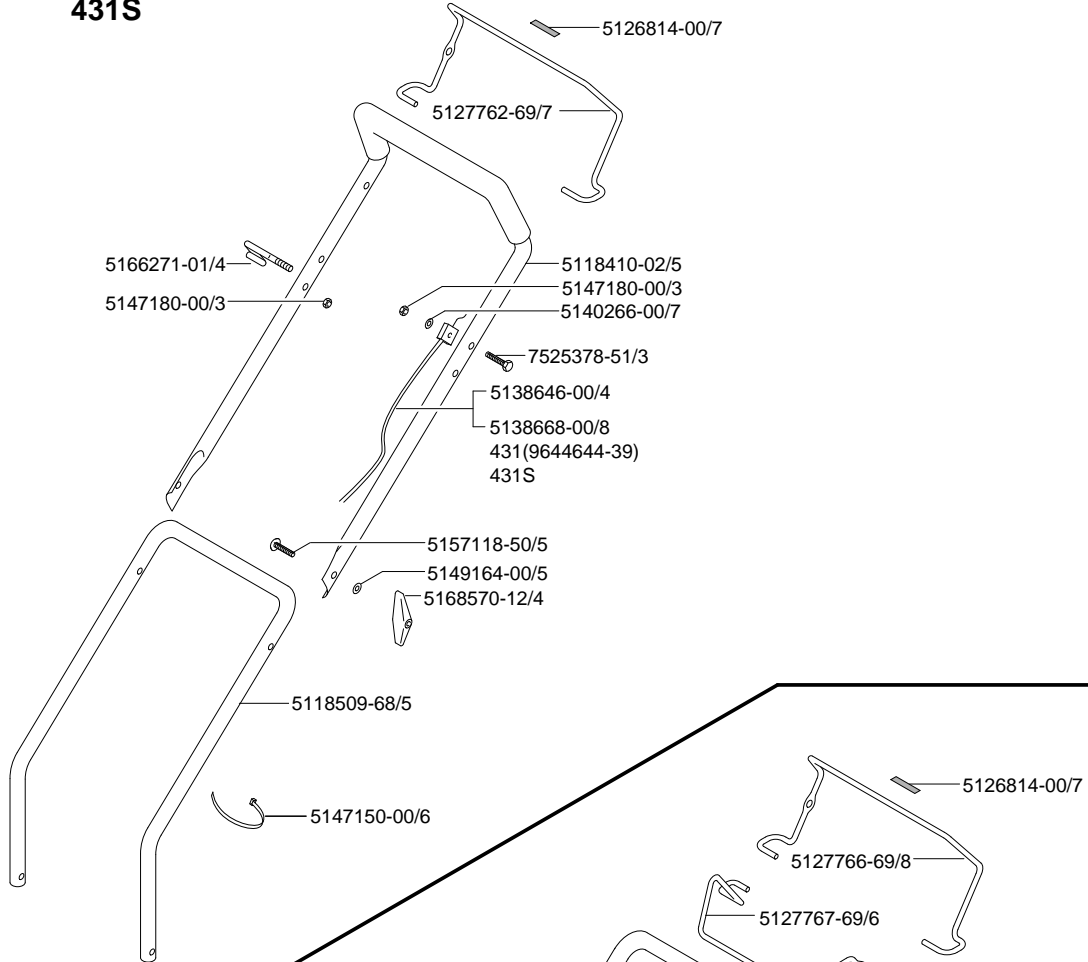
9644645-39
431S

9644817-39
431

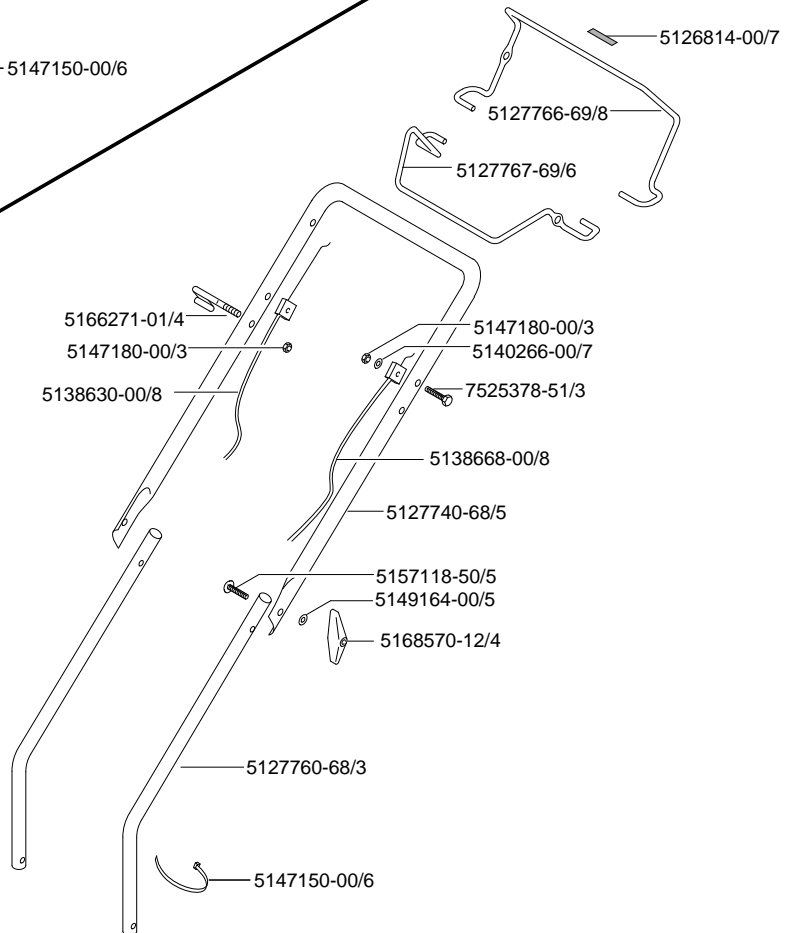
9644893-39
43D

ILLUSTRATED PARTS LIST

**Models 431
431S**



Model 431D





FLYMO & PARTNER OUTDOOR PRODUCTS



PARTS

12G

P986006

MODEL Partner 431 Range

ILLUSTRATED PARTS LIST

9644622-39
431

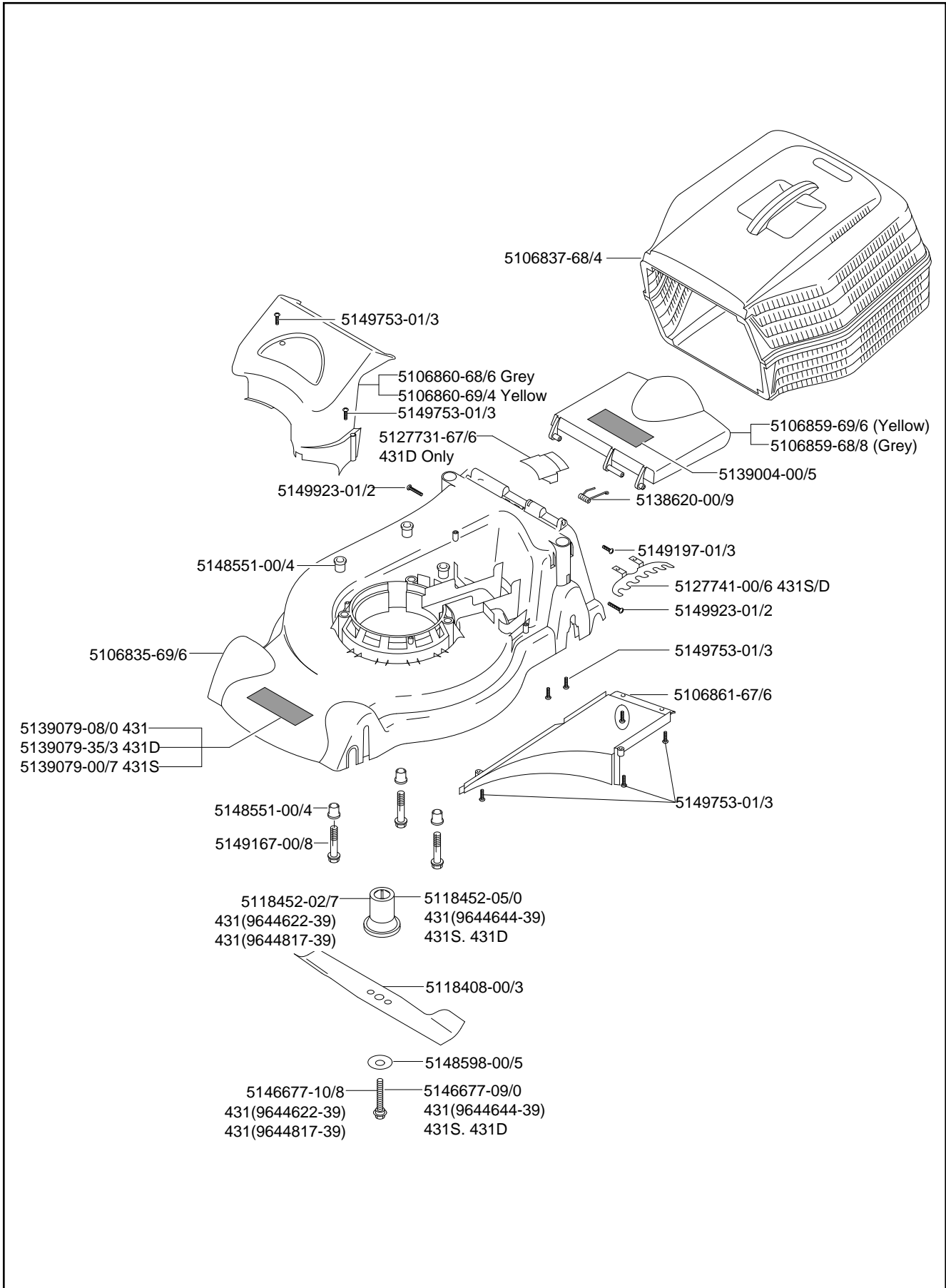
9644623-39
431S

9644644-39
431

9644645-39
431S

9644817-39
431

9644893-39
43D





MODEL Partner 431 Range

9644622-39
431

9644623-39
431S

9644644-39
431

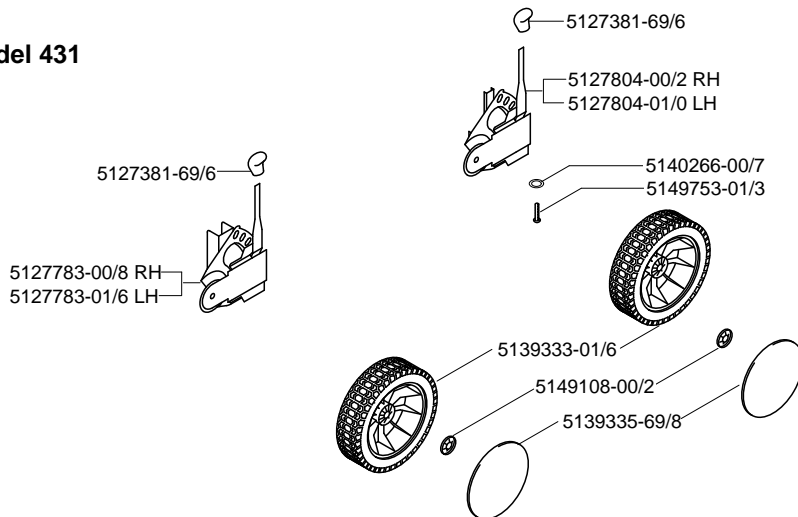
9644645-39
431S

9644817-39
431

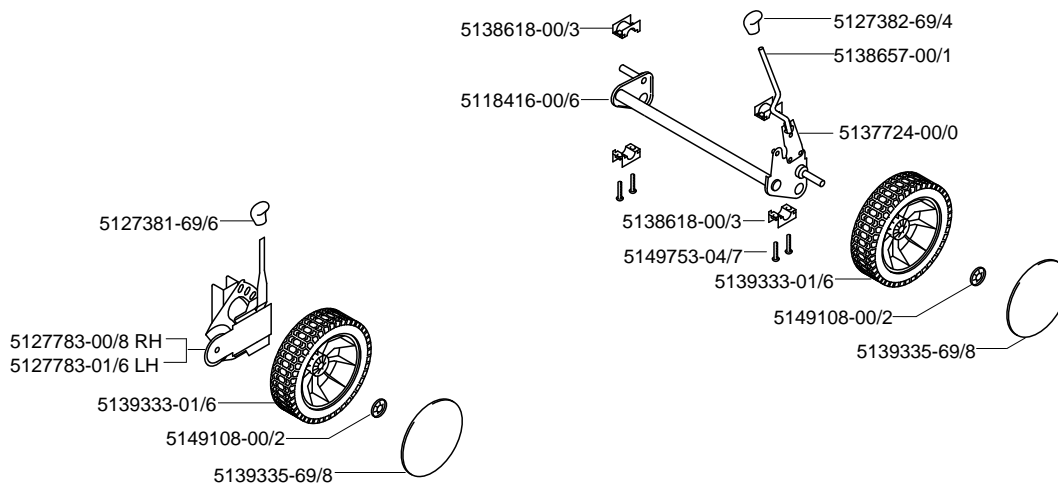
9644893-39
43D

ILLUSTRATED PARTS LIST

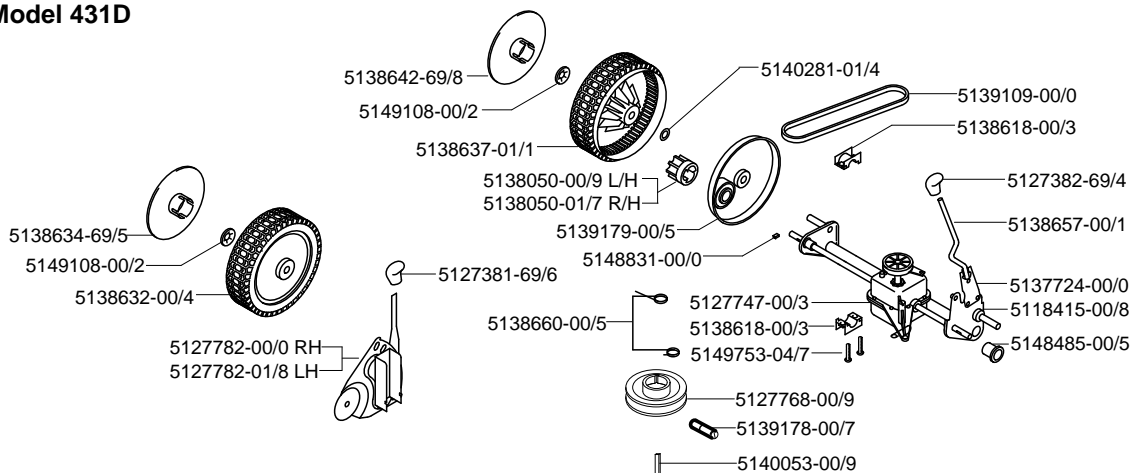
Model 431



Model 431S



Model 431D





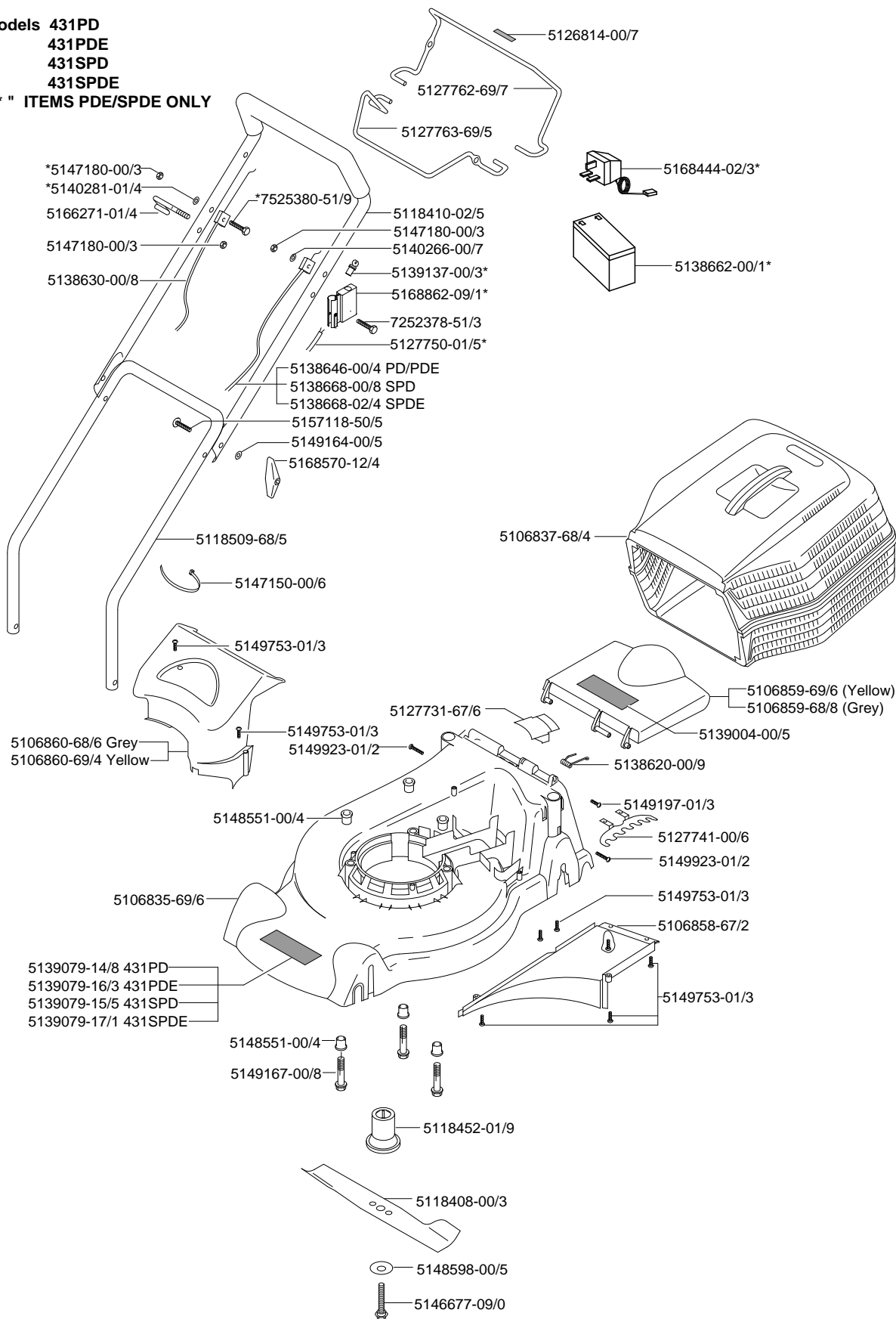
MODEL Partner 431 Range

ILLUSTRATED PARTS LIST

9644624-39 431PD	9644625-39 431SPD	9644626-39 431PDE	9644627-39 431SPDE	9644648-39 431SPD	9644649-39 431SPDE	9644891-39 431SPD	9644892-39 431SPDE
---------------------	----------------------	----------------------	-----------------------	----------------------	-----------------------	----------------------	-----------------------

Models 431PD
431PDE
431SPD
431SPDE

" * " ITEMS PDE/SPDE ONLY



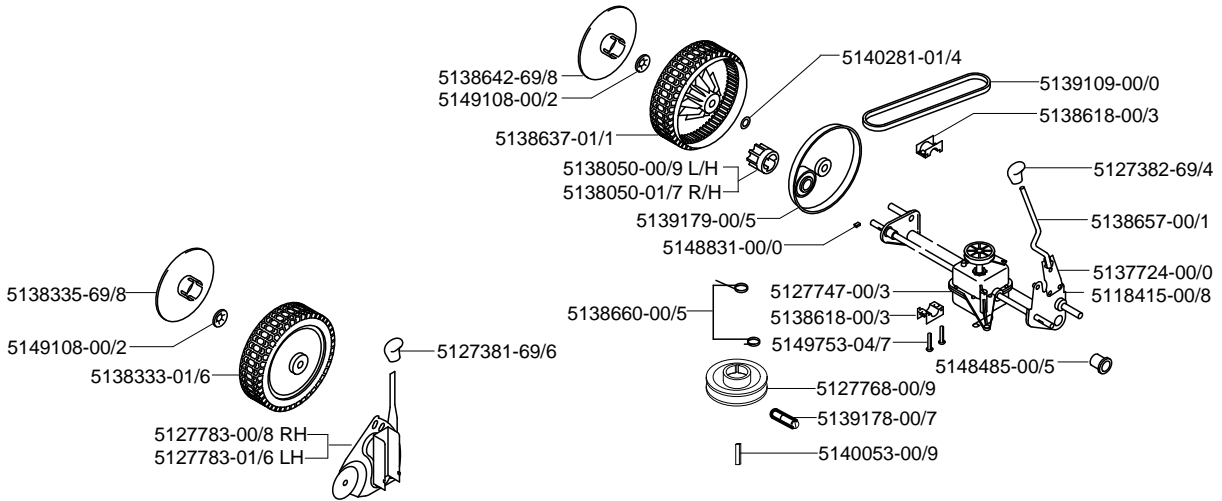


MODEL Partner 431 Range

9644624-39 431PD	9644625-39 431SPD	9644626-39 431PDE	9644627-39 431SPDE	9644648-39 431SPD	9644649-39 431SPDE	9644891-39 431SPD	9644892-39 431SPDE
---------------------	----------------------	----------------------	-----------------------	----------------------	-----------------------	----------------------	-----------------------

ILLUSTRATED PARTS LIST

**Model 431PD
431PDE**



**Models 431SPD
431SPDE**

